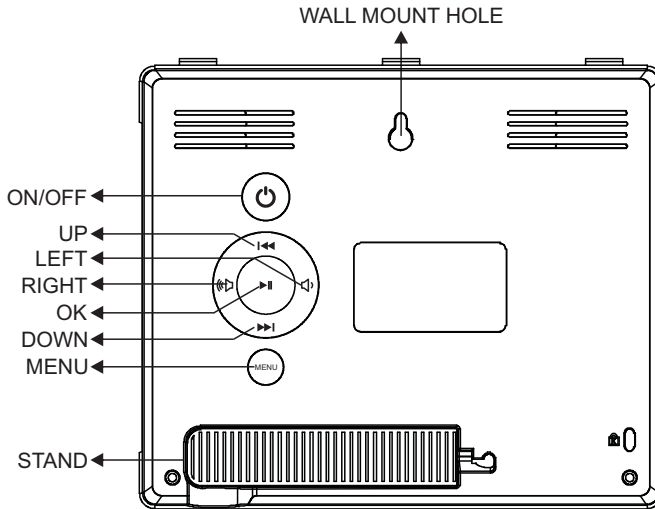


# DAY CLOCK USER INSTRUCTIONS



**Making Adjustments:** Press the MENU button to display the on screen menu:  
**Please Note:** Changes can only be made to the line when highlighted in brackets and underlined. Use the UP or DOWN button to highlight the line to apply changes. Use the LEFT or RIGHT buttons to underline the text for adjustment. When underlined, use the UP or DOWN button to make changes required.

Set Time	07:10AM
Set Date	17-12-2010
Time Mode	12 Hours
Date Mode	Day-Mounth-Year
Language	English
Morning Time Set	08
Afternoon Time Set	12
Evening Time Set	17
Night Time Set	23

**Line 1, - Set Time:**

Press **LEFT** or **RIGHT** buttons to underline the hour <07 : 10 > change the hour by using **UP** or **DOWN** buttons. Then press the **LEFT** or **RIGHT** buttons to highlight the minutes < 07 : 10 > Using the **UP** or **DOWN** buttons to adjust (Press **Menu** to close)

**Line 2, - Set Date:** Select preferred **Date Mode** on **Line 4** before adjustments.

Press buttons **LEFT** or **RIGHT** to highlight the Day: <17 - 12 - 2010 > or <12 - 17 - 2010> use **UP** or **DOWN** button to adjust. Changing Month / Year when underlined. (Press **MENU** to close).

**Line 3, - Time Mode: 12 hr or 24 hr**

Select the preferred mode by using the **LEFT** or **RIGHT** buttons. (Press **MENU** to close)

**Line 4, - Date Mode: < Day - Month - Year > or < Month - Day- Year >**

Select preferred Mode pressing **LEFT** or **RIGHT** buttons. (Press **MENU** to close)

**Line 5, - Language:** Select preferred language to display by using **LEFT** or **RIGHT** buttons. (Press **MENU** to close)

The following setting is for UI 2.

**Line 6, - Morning Time Set:** Select by using the **LEFT** or **RIGHT** buttons. (Press **MENU** to close)

**Line 7, - Afternoon Time Set:** Select by using the **LEFT** or **RIGHT** buttons. (Press **MENU** to close)

**Line 8, - Evening Time Set:** Select by using the **LEFT** or **RIGHT** buttons. (Press **MENU** to close)

**Line 9, - Night Time Set:** Select by using the **LEFT** or **RIGHT** buttons. (Press **MENU** to close)

UI 1 displays the day, time, date, month and year with no abbreviation

UI 2 displays "Now it's "

Press button **OK** to switch between UI 1 and UI 2.



UI1



UI2